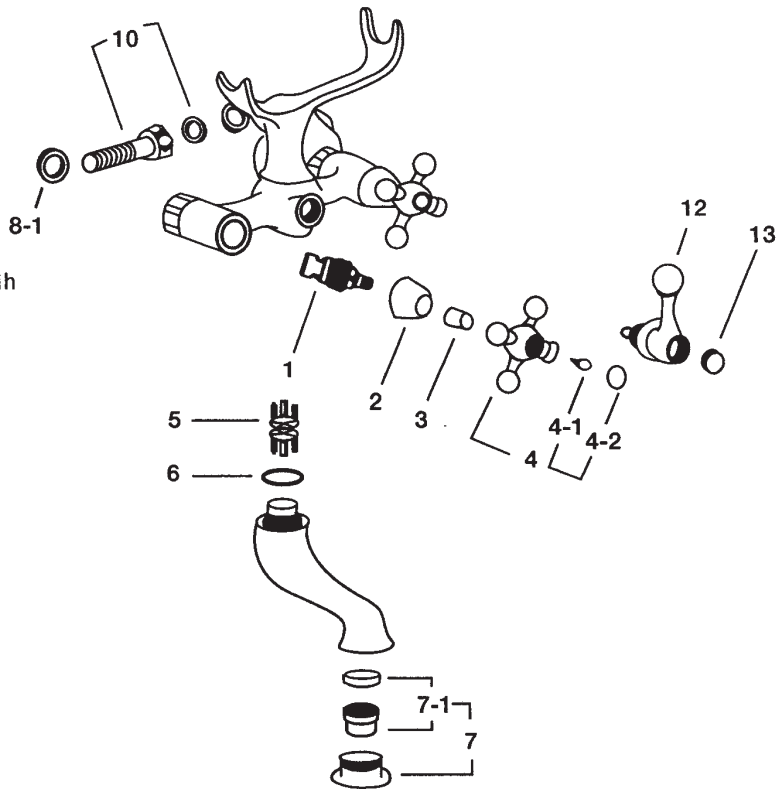
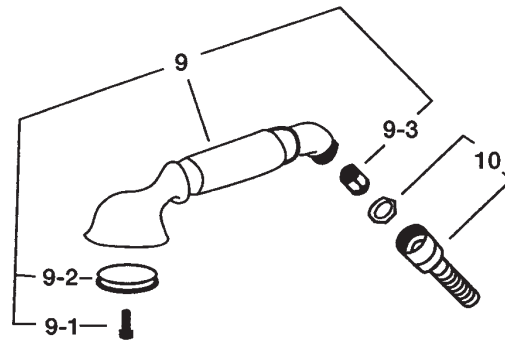


## AC7X Spare parts

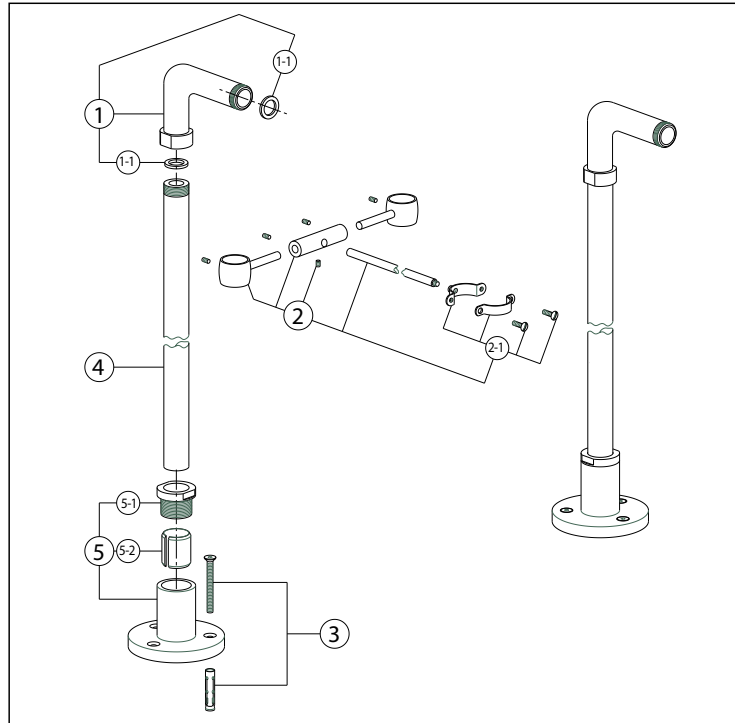


### PARTS LIST FOR AC7X

1 Ceramic headvalve	ZZ92907021h
2 Escutcheon	ZZ926520
3 Sliding cover tube	ZZ926190
4 Handle with screw plate	ZZ903070
4-1 Screw M4.5X10	ZZ926090
4-2 Cap for handle	ZZ926170
5 Diverting valve for mixer	ZZ927790
6 Rubber gasket	ZZ926920
7 Overfill-flow straightener M.28X1	ZZ927840
7-1 Cartridge	ZZ926940
8-1 Gasket 24X16X2.7	ZZ926890
9 Handshower	ZZ900780
9-1 Screw 3/16" x 15.5	ZZ926400
9-2 Faceplate	ZZ905440
9-3 BackFlow Valve	ZZ929560
10 Hose 150cm 14 1/2" x 1/2"	ZA009010
12 Diverter with handle	ZZ90257
13 Screw cover cap for diverter handle	ZZ926170

## Installation Instructions

### SPARE PARTS FOR ZA 383 FLOOR LEGS



POS.	DESCRIPTION	CODE
1	90° union pillar leg	ZZ 93750 0
1-1	Gasket NBR 90 SH. 24x16x2,7	ZZ 92689 0
2	Waste tube connection	ZZ 94083 0
2-1	Waste tube connection	ZZ 94127 0
3	Installation set	ZZ 94343 0
4	G1/2" NPT floor pillar leg	ZZ 94355 0
5	Base for floor pillar leg	ZZ 94356 0
5-1	Fixing ring	ZZ 94357 0
5-2	Cut bush	ZZ 94358 0