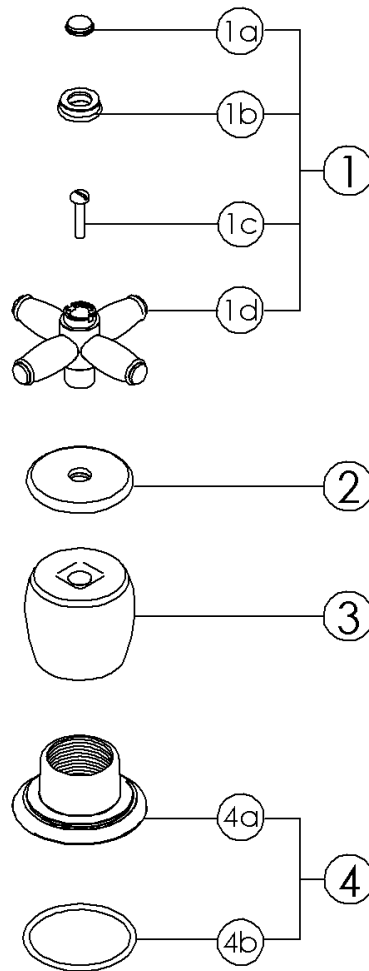


MB1941XM Spare Parts

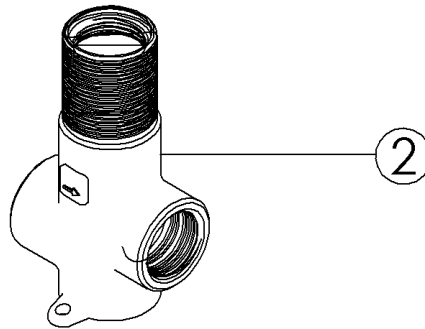
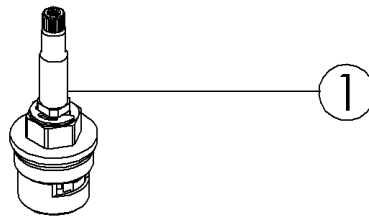


MB1941XM

Item	Description	Part No
1	Wall mounted cross handle NO MARKINGS (complete)	R9458460*
1a	Indicator cap	R94584610*
1b	Indicator cap retaining ring	R942673
1c	M4 x 20 handle screw	R9458850*
1d	Cross handle	R9458430*
2	Handle shroud top	R9458340*
3	Handle shroud lower	R9458330*
4	Escutcheon (complete with 'O' ring)	R9458550*
4a	Escutcheon	N/A
4b	A-132 'O' ring	R9200132
*	Items available in Polished Chrome, Polished Nickel, Satin Nickel, Tuscan Brass, Inca Brass	

N/A means you don't need a part number because it's incorporated in the larger assembly.

MB1942 & MB1943 Spare Parts



MB1942 OR MB1943

Item	Description	Part No	
1	3/4" wall mounted volume control ceramic cartridge anti clockwise opening HOT	R942693	MB1942
1	3/4" wall mounted volume control ceramic cartridge clockwise opening COLD	R942696	MB1943
2	3/4" wall mounted volume control body only	R9458500	