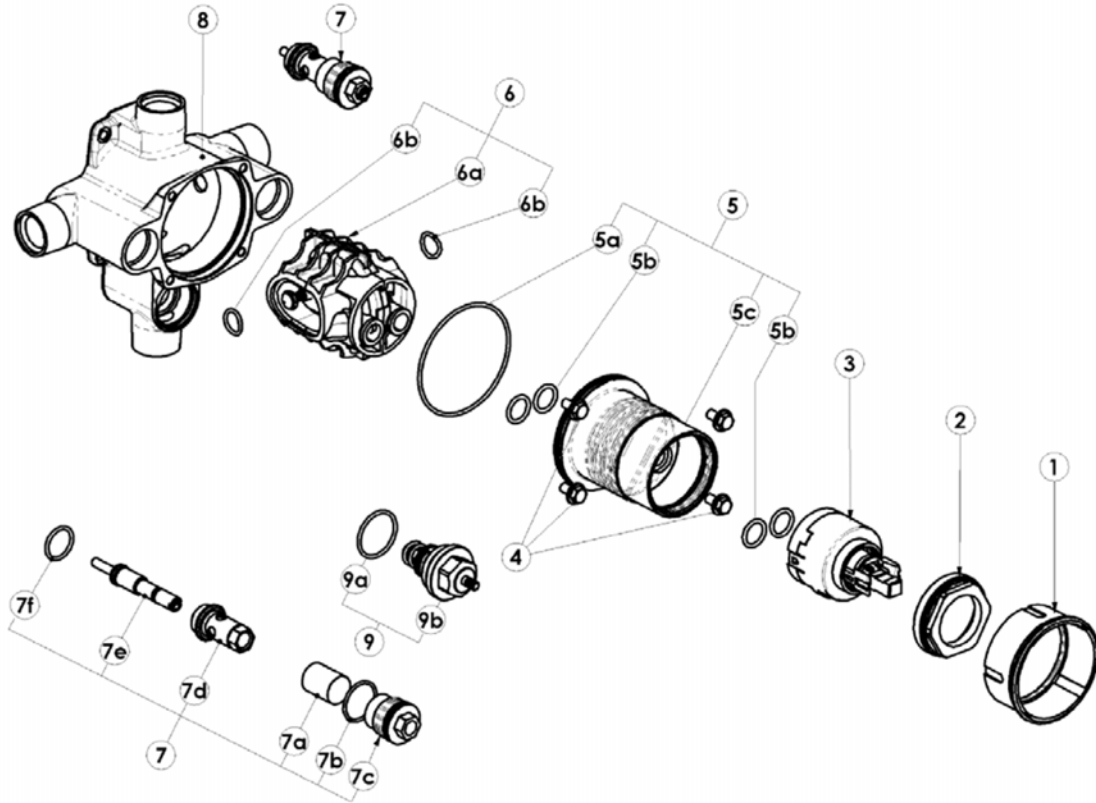


R2014C Spare Parts



No	DESCRIPTION	ROHL NUMBER
1	Faceplate Nut	R945440
2	Threaded Ring Nut	R946454
3	Pressure balance flow control cartridge	R9260912
4	Flanged bolt set of 4	R945554
5	Upper body complete	R9551560
5a	A-036 'O'ring	R9200036
5b	12 x 2 metric 'O' ring set of 4	R920122
5c	Upper body	N/A
6	Equalizer cartridge complete with 'O' rings tapered	R9501250
6a	Equalizer cartridge assembly	N/A
7	Filter stop valve assembly	R943200
7a	Filter element	R945250
7b	A-018 'O' ring	R9200018
7c	filter stop head	R943202
7d	Filter stop housing	R943201
7e	Filter stop spindle	R943200
7f	A-016 'O' ring	R9200016
8	Pressure balance diverter body	R9557270
9	Diverter assembly	R9400464
9a	A-021 'O' ring	R9200021
9b	Diverter assembly body	N/A

Available Extension/Reduction Kits available

¼" Reduction kit R9035130

¾" Extension kit R9035030