

Care and Maintenance:

For all chrome plated surfaces clean this product with warm soapy water and then dry with a dry soft cloth.

Nickel plated, satin and Inca brass finishes should be cleaned with a soft cloth and warm water. Then dry with a dry soft cloth.

Do not use cream cleaners or cleaning agents containing a corrosive acid or scouring agent including: Softscrub, Comet, Ajax and Bonami, as these may damage the surface of the faucet.

Do not use any spray cleaners with ammonia or alcohol like Windex, 409 or Fantastik.

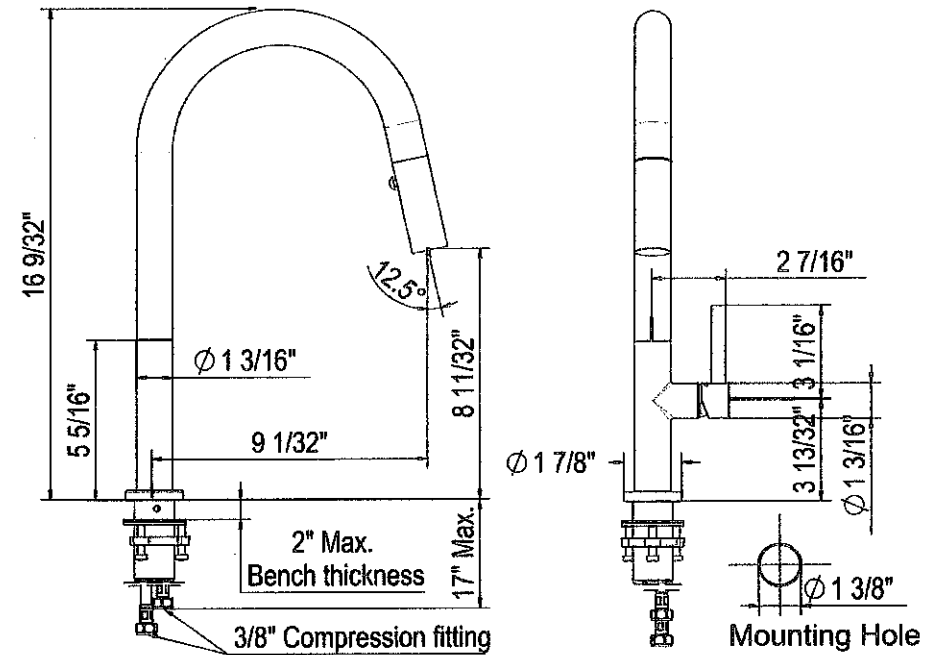
Any use of unsuitable cleaning agents causing damage to the surface will not be covered by the warranty.

WARRANTY: Warranty is limited lifetime. See ROHL website for details.

(www.rohlhome.com).

A basic in-line filter system is required for the house to protect any debris from entering the water supply line to the house (i.e. due to construction or service work on the street water main).

ROHL LUXE PULL-DOWN KITCHEN FAUCET R7581 INSTALLATION INSTRUCTIONS



Please leave this form with the product once installed.

SYSTEM REQUIREMENTS

To ensure the optimum performance and customer satisfaction please adhere to the following:

- Flush out all pipe work prior to installation.
 - Minimum operating pressure 40psi
 - Maximum operating pressure 70psi
 - Recommended operating pressure 60psi
- *Note: Pressures over 70psi may require that the house have a pressure regulator installed to limit the pressure below 70psi.
- Maximum hot water temperature 120°F
 - If the water temperature exceeds 120°F an approved tempering valve must be fitted.
 - Maximum flow rate limited to 1.8 US gallons/minute at 60psi flow pressure.

Failure to comply with the above will void all warranties.

Note: It is strongly recommended that in-line filters are fitted to both inlets.

ROHL
Authentic Luxury for Kitchen and Bath®

ROHL LLC 3 Parker, Irvine, CA 92618
714-557-1933 www.rohlhome.com

#40075 11/18

Installation Instructions

Note: This mixer fits a maximum bench thickness of 2 inches.

1. Flush pipe work to ensure it is free from debris.
2. Cut a mounting hole 1 3/8" diameter in the desired position for the mixer ensuring there is 30 inches of clear vertical space below the hole for free movement of the hose.
 - a. Check there is 5/8" of flat surface around the edge of the hole, and that the handset is able to reach where require.
3. Remove mixer from packaging and unscrew mounting nut and remove backing washers from the threaded mixer tail and lower mixer through the mounting hole, position with lever on the right.
 - a. Ensure O-ring is sitting in groove at base of mixer.
4. From below the deck install the rubber washer, steel washer and mounting nut over hose and onto threaded tail of mixer and tighten jack screws.
5. Make the connection to the supply lines.
 - a. **Turn the nut and not the hose.** Twisting the hose may cause damage, or low flow.
 - b. **Do not over tighten.**
 - c. The flexi hoses should have a radius of no less than 3 11/32".
 - d. **Ensure that the flexi hoses do not foul the travel of the hose.**
6. Make the connection for the pull-down hose.
 - a. Install by pushing the quick fitting adaptor with the pull-down hose to the faucet outlet.
 - i. Push in fully until button clicks out.
 - ii. To release push in button.
 - b. The quick fitting adaptor can only be installed one way.
 - i. Has an arrow for flow.
7. Remove weight from packaging and install to hose approximately 24 inches below bench surface using the 2 screws supplied.
 - a. Check travel of handset and reposition counter weight if necessary.
8. Turn on water supply and **check for leaks.**
 - a. Check handset has been hand tightened to hose.
 - b. Test operation of handset by pressing button of handset from pour to spray settings.

