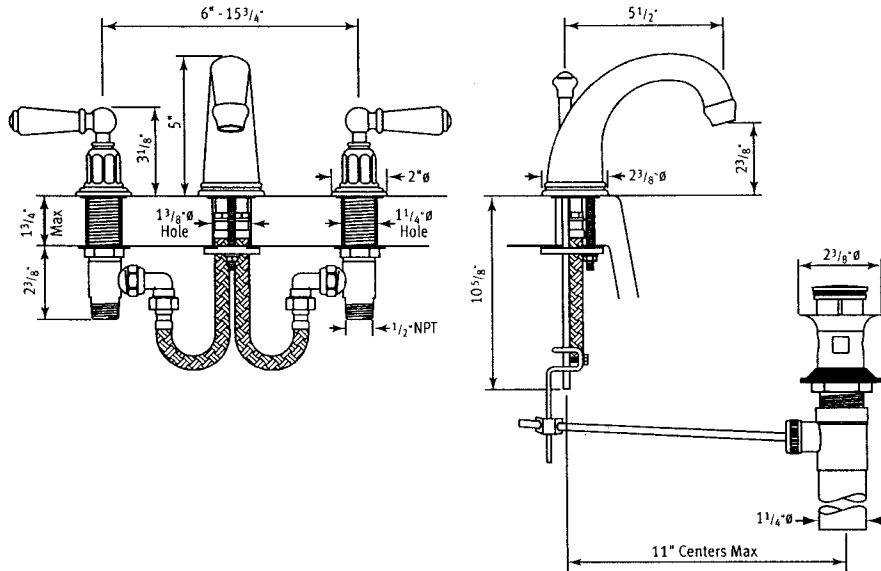


Specification

U.3700L U.3700LS

Three Hole Lav Widespread with High Neck and Porcelain Lever Handles,
Three Hole Lav Widespread with High Neck and Solid Metal Lever Handles.

- 1/4 turn ceramic disc flow control ● Vernier insert for accurate handle alignment ●
- Unique handle construction with integral bearing ring ●
- Flexible connectors for easier installation ● Supplied with Pop up Waste ●



Approvals:

IAPMO A112.18.1.M

Packed Weight:

3.8Kg / 8½ lbs

Temp Range:

Min 1°C / 34°F

Max 85°C / 185°F

Recommended working pressure:

Min 1 bar / 15psi

Max 5 bar / 75 psi

