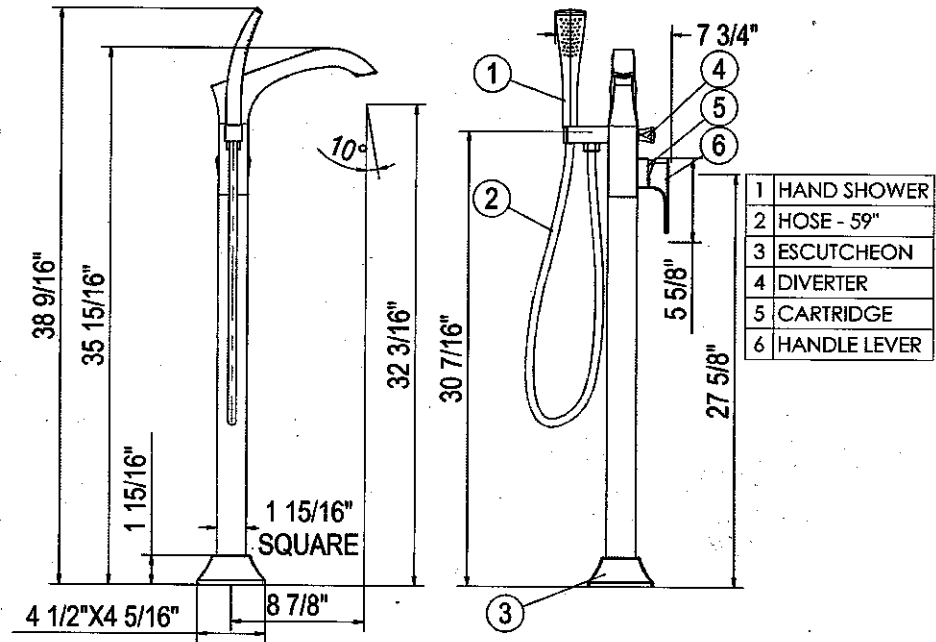


Care and Maintenance: After use, wipe down with a soft, dry cloth.
 For all chrome plated surfaces clean this product with warm soapy water and then dry with a dry soft cloth.
 Nickel plated, satin and Inca brass finishes should be cleaned with a soft cloth and warm water. Then dry with a dry soft cloth.
 Do not use cream cleaners or cleaning agents containing a corrosive acid or scouring agent including: Softscrub, Comet, Ajax and Bonami, as these may damage the surface of the faucet.
 Do not use any spray cleaners with ammonia or alcohol like Windex, 409 or Fantastik.
 Any use of unsuitable cleaning agents causing damage to the surface will not be covered by the warranty.
 For further understanding, please refer to your ROHL Homeowner's Guide to Care & Maintenance brochure.

WARRANTY: Warranty is limited lifetime. See ROHL website for details.
 (www.rohlhome.com)
 A basic in-line filter system is recommended for the house to protect any debris from entering the water supply line to the house (i.e. due to construction or service work on the street water main).

ROHL MATHESON BATH FREE STANDING TUB FILLER ML2039LAPC, ML2039LPN, ML2039LSTN INSTALLATION INSTRUCTIONS



Please leave instructions with the home owner once installed.

SYSTEM REQUIREMENTS

To ensure the optimum performance and customer satisfaction, please adhere to the following:

Flush out all pipe work prior to installation.

Maximum operating pressure 75psi

NOTE: Pressures over 75psi will require that the house have a pressure regulator installed to limit the pressure below 75psi.

Maximum hot water temperature 145°F

If the water temperature exceeds 145°F an approved tempering valve must be fitted.

Maximum flow rate: 8.2 US gallons/minute at 60psi flow pressure.

Hand shower flow rate is 2gpm.

Please follow local code guidelines for Asse 1016.

ROHL
 Authentic Luxury for Kitchen and Bath®

ROHL LLC 3 Parker, Irvine, CA 92618
 714-557-1933 www.rohlhome.com

#41989 09/16