

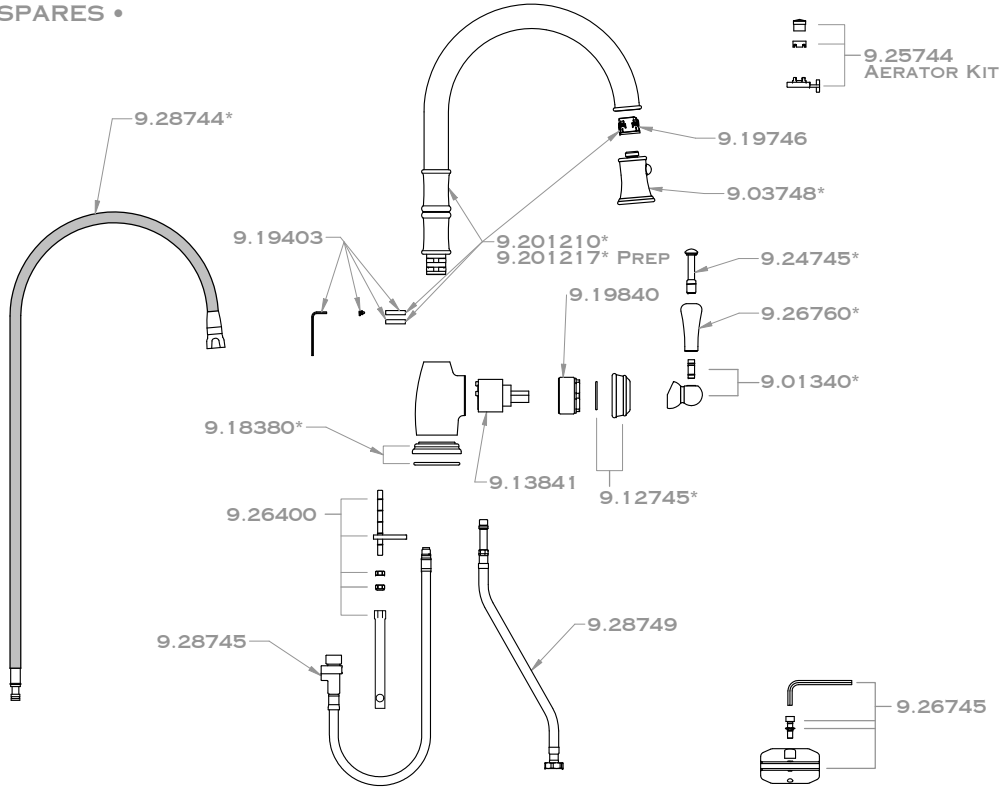
**ROHL WARRANTY POLICY**

ALL PRODUCTS SUPPLIED BY ROHL CARRY WARRANTIES AGAINST MANUFACTURING DEFECTS.

FOR FULL ROHL WARRANTY PLEASE CONTACT ROHL OR VISIT [WWW.ROHLHOME.COM](http://WWW.ROHLHOME.COM)

PLEASE CONTACT THE LOCAL ROHL RETAILER OR SHOWROOM WHERE YOU PURCHASED THIS PRODUCT FOR ALL WARRANTY RELATED CLAIMS.

• SPARES •



\* WHERE INDICATED PLEASE SPECIFY FINISH

**SPARE PARTS & SERVICE**

**ROHL**  
Authentic Luxury for Kitchen and Bath™

3 PARKER  
IRVINE  
CA 92618  
(714) 557-1933

[WWW.ROHLHOME.COM](http://WWW.ROHLHOME.COM)

PERRIN & ROWE PRODUCTS ARE MANUFACTURED IN ENGLAND USING QUALITY MATERIALS, THE LATEST TECHNOLOGY AND BUILT TO THE HIGHEST STANDARDS.

WE WOULD LIKE TO THANK YOU FOR PURCHASING THIS PERRIN & ROWE PRODUCT AND INVITE YOU TO VIEW THE COMPREHENSIVE RANGE OF PERRIN & ROWE TAPWARE, SHOWER FITTINGS, BATHROOM ACCESSORIES, SOAP DISPENSERS AND BATHROOMWARE.

PLEASE CONTACT US TO RECEIVE OUR LATEST PRODUCT CATALOGUES OR VIEW THEM ONLINE AT [WWW.ROHLHOME.COM](http://WWW.ROHLHOME.COM)

PERRIN AND ROWE IS A REGISTERED TRADEMARK.

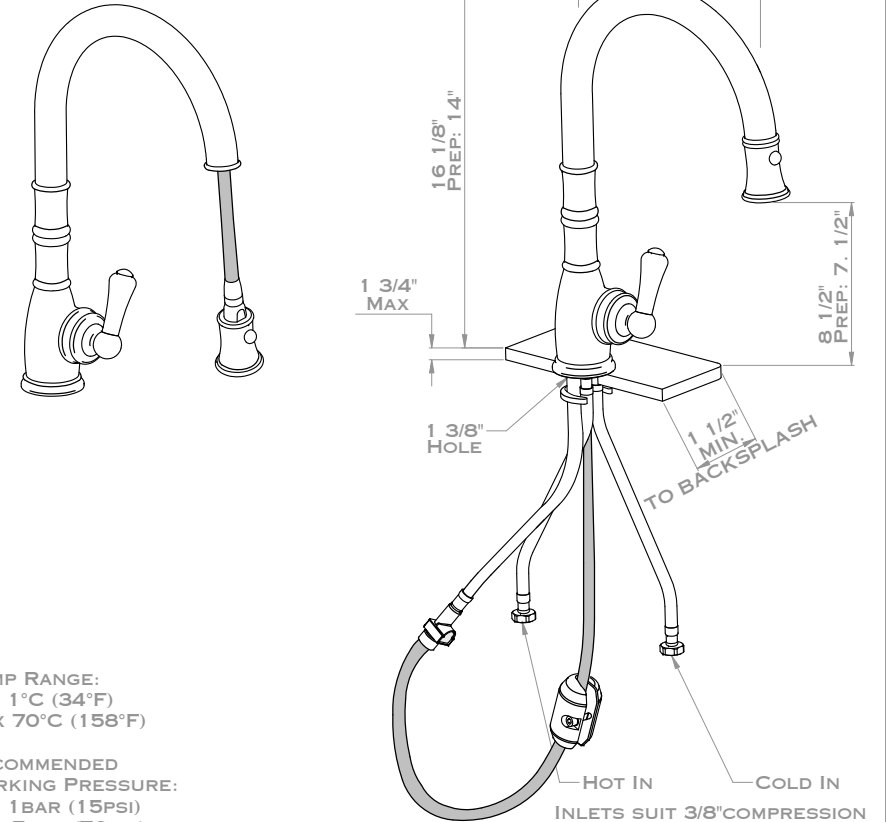
9004744U ISSUE 5

**PERRIN & ROWE**<sup>®</sup>  
MAYFAIR LONDON

• THE KITCHEN COLLECTION  
INSTALLATION & USER GUIDE •

**GEORGIAN SINGLE LEVER MIXER WITH  
PULL DOWN**

- U.4744
- U.4743 (PREP FAUCET)



TEMP RANGE:  
MIN 1°C (34°F)  
MAX 70°C (158°F)

RECOMMENDED  
WORKING PRESSURE:  
MIN 1BAR (15PSI)  
MAX 5BAR (72PSI)

IDEAL PERFORMANCE OBTAINED WITH EQUAL HOT & COLD PRESSURES.

CONGRATULATIONS ON THE PURCHASE OF YOUR PERRIN AND ROWE KITCHEN PRODUCT. CORRECTLY INSTALLED AND WITH SENSIBLE CARE, THIS PRODUCT WILL GIVE YOU MANY YEARS OF TROUBLE FREE SERVICE.

### • IMPORTANT INFORMATION •

PLEASE READ CAREFULLY TO ENSURE CORRECT INSTALLATION. BEFORE YOU PROCEED... WE RECOMMEND YOU ENGAGE THE SERVICES OF A REGISTERED PLUMBER TO INSTALL THIS PRODUCT.

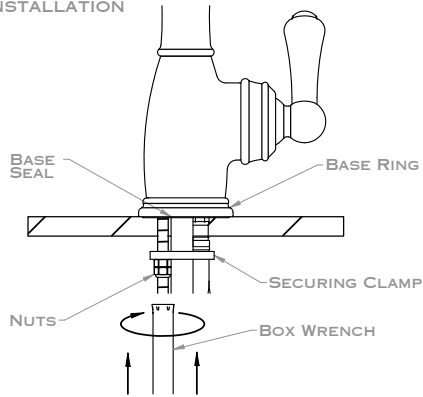
FOR EASE OF POSSIBLE FUTURE SERVICING, WE ALSO RECOMMEND THE FITTING OF CONVENIENTLY PLACED ISOLATING VALVES.

### • PREPARATION CHECK BOX FOR INSTALLER •

FLUSH THE PLUMBING SYSTEM BEFORE INSTALLING THE KITCHEN PRODUCT.

ONCE UNPACKED REMOVE CLAMP PLATE AND HOSE WEIGHT READY FOR INSTALLATION.

## 1 INSTALLATION



BEFORE INSTALLING THE PRODUCT, LEAVE A GAP OF 1 1/2" MINIMUM FROM THE CENTER OF THE WORK SURFACE HOLE TO ANY WALLS, SHELVES, OR BACKSPLASH (SEE IMAGE ON FRONT COVER FOR DIMENSIONS).

INSERT THE FLEXIBLE CONNECTIONS THROUGH THE WORK SURFACE HOLE Ø1.3/8" ENSURING THAT THE BASE RING AND RUBBER SEAL ARE IN PLACE BETWEEN MIXER AND MOUNTING SURFACE. ENSURE THE MIXER IS ORIENTATED CORRECTLY.

USING THE SUPPLIED BOX SPANNER, SECURE THE MIXER USING THE CLAMPING PLATE AND NUTS, ENSURING THE HOSE CAN RUN FREELY.

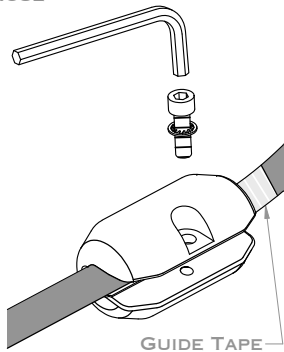
PLEASE NOTE: THE RUBBER BASE SEAL IS AN ESSENTIAL ITEM AND MUST BE FITTED TO THE UNDERSIDE OF THE FAUCET BASE.

## 2 ATTACH WEIGHT TO HOSE

INSERT HOSE IN TO WEIGHT AND SECURE TOGETHER WITH THE SCREW AND WASHER, USING THE HEX KEY PROVIDED. ENSURE THAT THE WEIGHT IS FIXED IN PLACE.

THE RECOMMENDED POSITION TO ATTACH THE WEIGHT IS SHOWN WITH GUIDE TAPE.

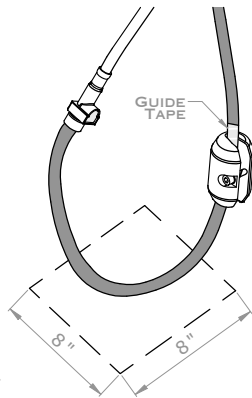
IMPORTANT NOTE: DO NOT OVERTIGHTEN THE SCREW.



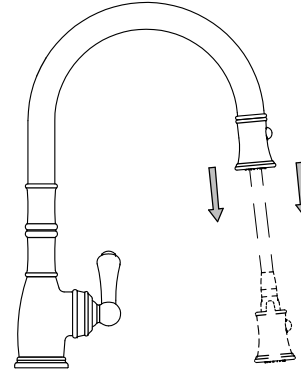
IF NEEDED THE WEIGHT CAN BE MOVED TO VARY THE AMOUNT OF EXTENSION REQUIRED.

HOWEVER, TAKE CARE THAT THE WEIGHT DOES NOT INTERFERE WITH THE SHUT OFF VALVES.

FOR BEST PERFORMANCE, IT IS RECOMMENDED TO MAINTAIN 8"x8" CLEAR AREA FOR THE HOSE AND WEIGHT TO MOVE.



## 3 TEST PULL DOWN



ENSURE THERE IS AMPLE ROOM IN THE SPACE UNDER THE WORK SURFACE FOR THE HOSES AND WEIGHT TO MOVE FREELY. TEST THAT THE SPRAY HEAD EXTENDS FAR ENOUGH BY PULLING IT OUT.

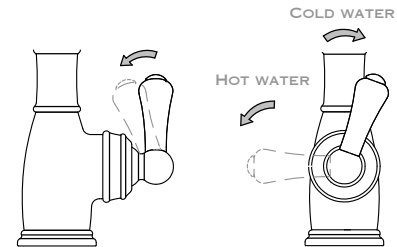
THE SPRAY HEAD SHOULD RETRACT SMOOTHLY AND RETURN BACK TO IT'S PRIMARY POSITION COMFORTABLY.

CONNECT HOT & COLD WATER SUPPLIES. FOR EASE OF SERVICING IT IS RECOMMENDED THAT STOP VALVES BE FITTED TO WATER SUPPLIES. TAKE CARE IN ENSURING THE FLEXIBLE HOSES ARE INSTALLED WITHOUT KINKS OR TWISTS.

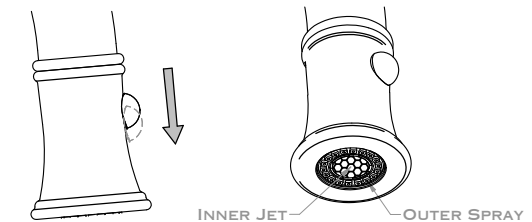
ENSURE ALL CONNECTIONS ARE FIRMLY TIGHTENED.

## 4 OPERATION

TO TURN THE FAUCET ON PUSH THE LEVER INWARDS TOWARD THE BODY.



TO CHANGE THE FLOW OF WATER FROM THE INNER JET TO THE OUTER SPRAY, WITH THE WATER RUNNING SLIDE THE BUTTON DOWNWARDS. THE SPRAY WILL RETURN TO THE INNER JET AFTER TURNING THE FAUCET OFF.



### • BEFORE USE •

- CAREFULLY CHECK THE INSTALLATION FOR LEAKS.
- IF FURTHER BUILDING WORK IS TO BE CARRIED OUT IN THE VICINITY, COVER THE PRODUCT TO AVOID DAMAGING THE FINISH.
- PLEASE ENSURE THAT THE INSTALLATION COMPLIES WITH LOCAL PLUMBING CODES.

### • CARE & MAINTENANCE •

- WIPE DOWN AFTER USE TO AVOID WATER SPOTTING AND MINERAL BUILD UP.
- OCCASIONAL CLEANING WITH WARM SOAPY WATER, FOLLOWED BY WIPING WITH A SOFT CLOTH IS ALL THAT IS REQUIRED TO KEEP THE PLATED FINISH IN GOOD CONDITION.
- DO NOT USE PROPRIETARY ABRASIVE LIQUIDS, POWDERS, OR PADS TO CLEAN THE FAUCET. DO NOT USE ANY PRODUCTS WITH AMMONIA BLEACH OR LIMESCALE REMOVER. YOU WILL DAMAGE THE PLATED FINISH AND VOID YOUR WARRANTY.